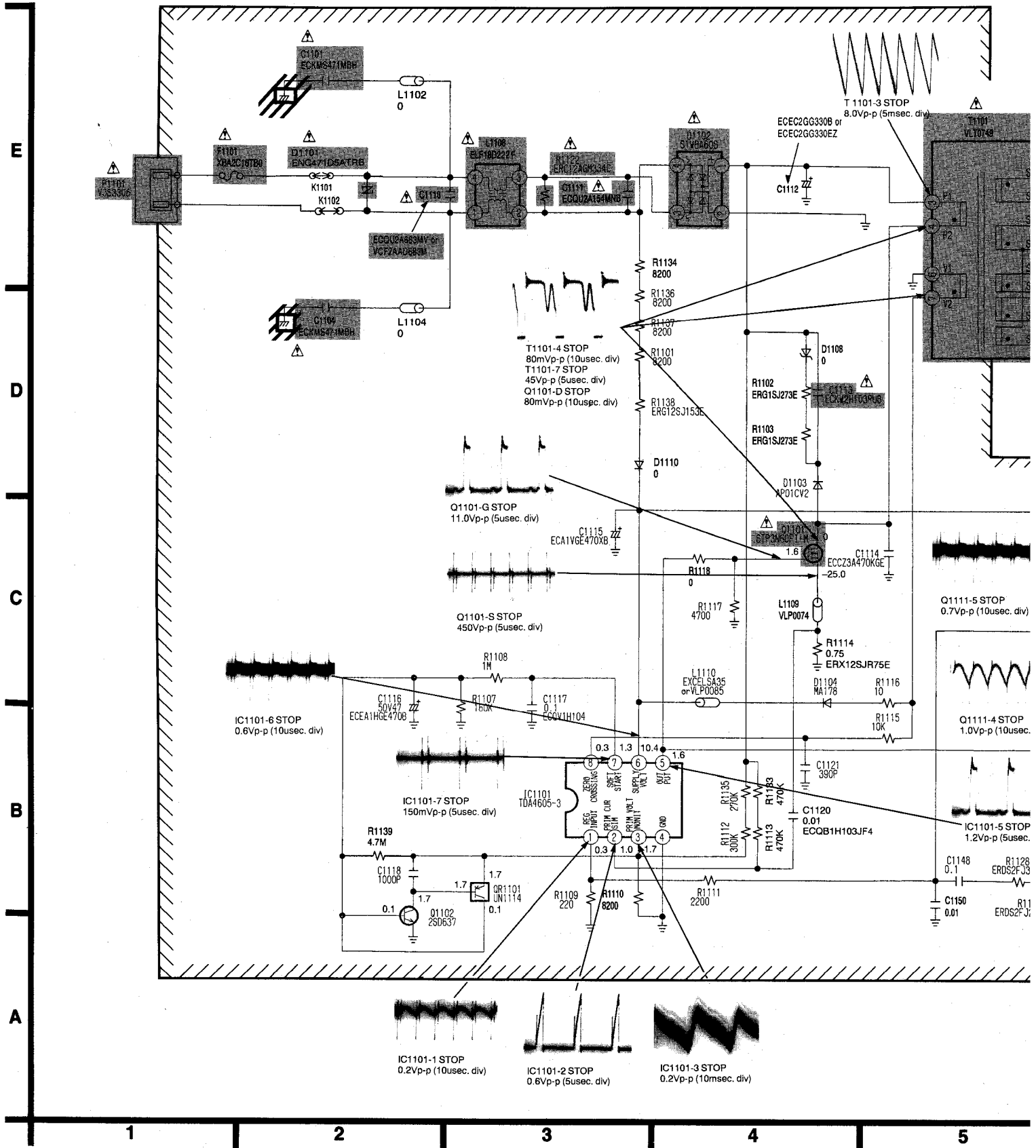
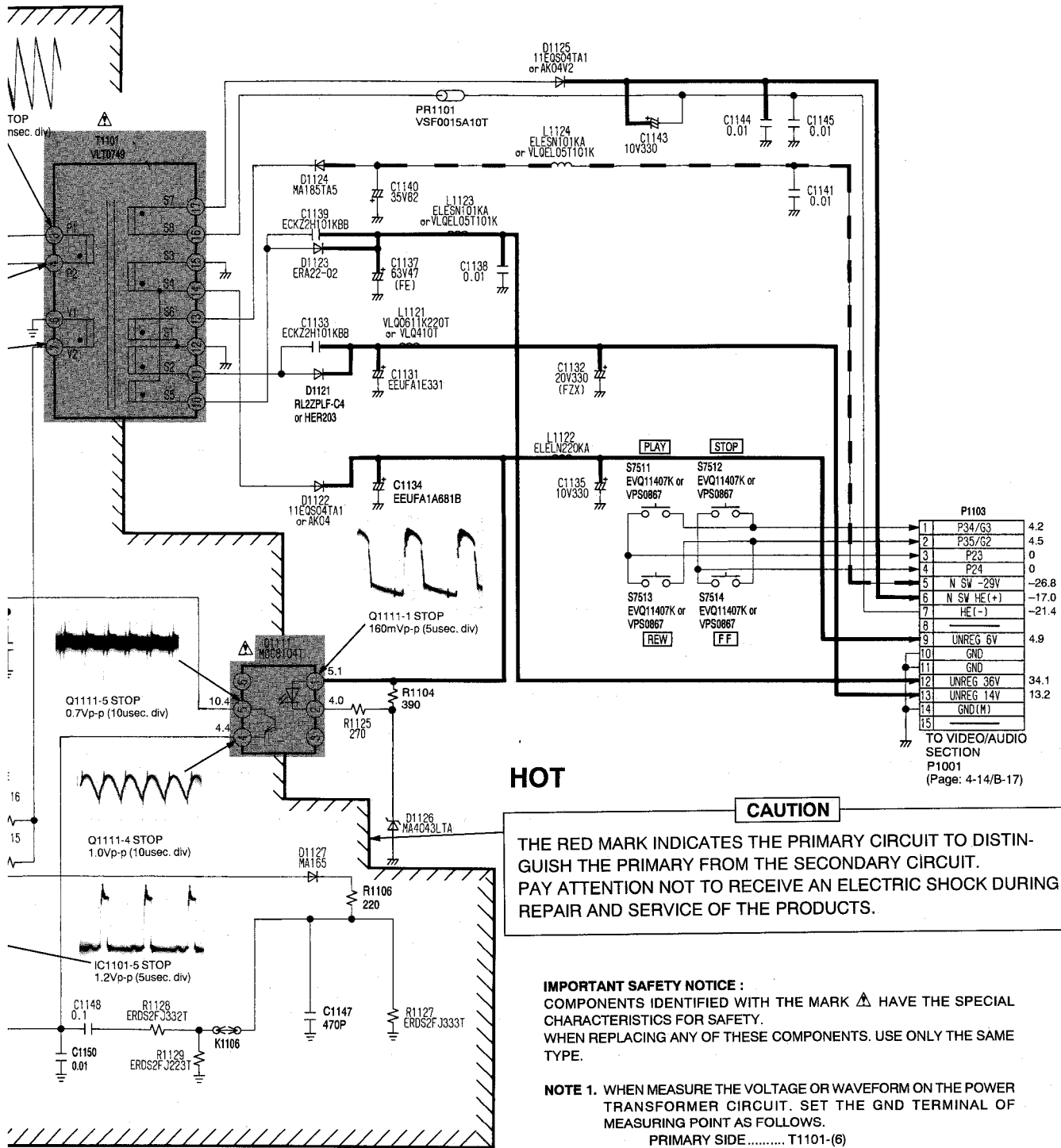


SECTION 4 SCHEMATIC DIAGRAMS

4-1. POWER SCHEMATIC DIAGRAM





5

6

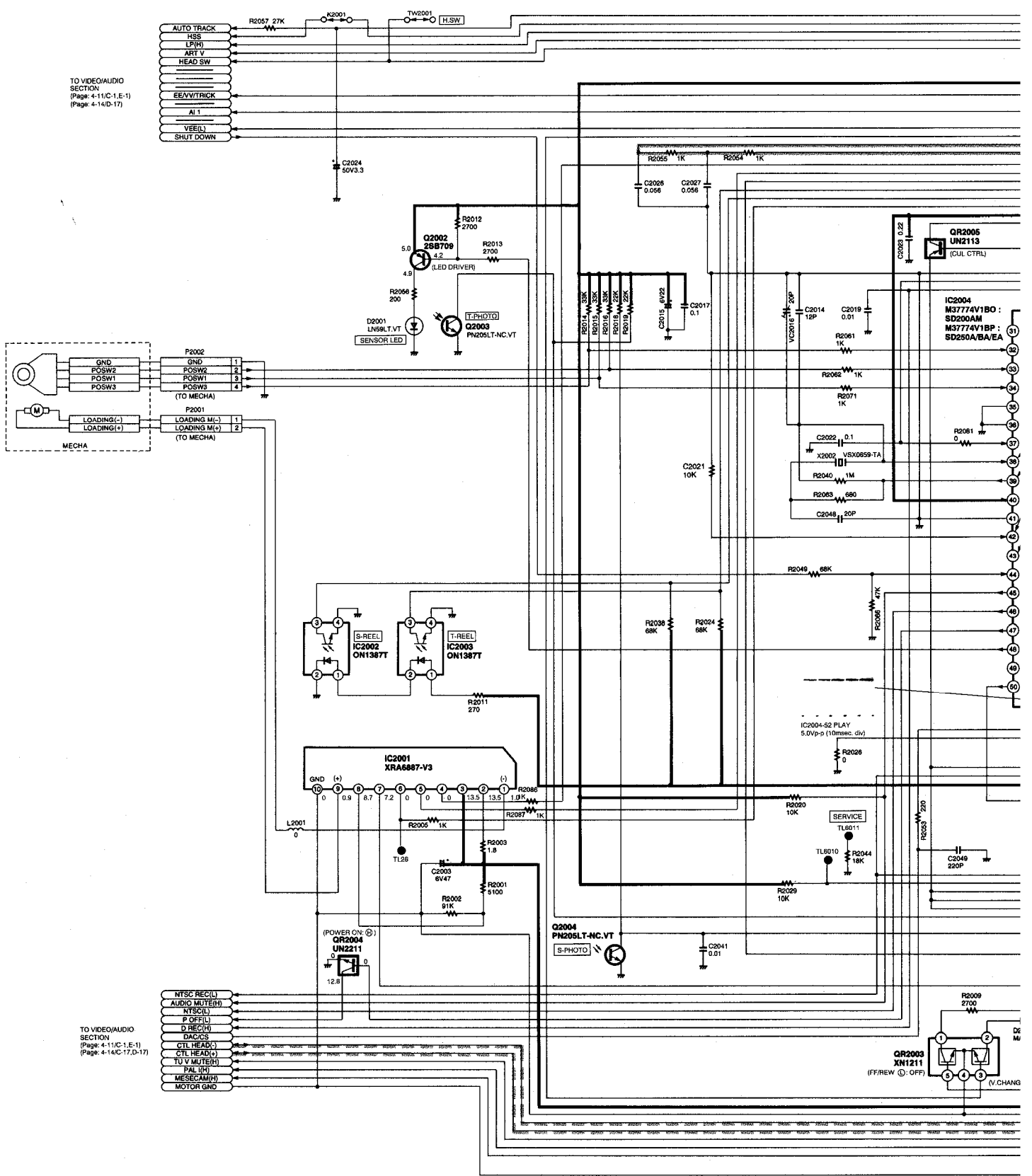
7

8



3. SYSTEM CONTROL & SERVO / TIMER / MOTOR DRIVE SECTION IN MAIN SCHEMAT

F
E
D
C
B
A



NOTE: DO NOT USE ANY PART NUMBER SHOWN ON THIS SCHEMATIC DIAGRAM FOR ORDERING. WHEN YOU ORDER A PART, PLEASE REFER TO PARTS LIST.

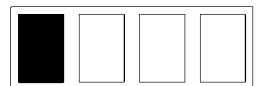
NOTE

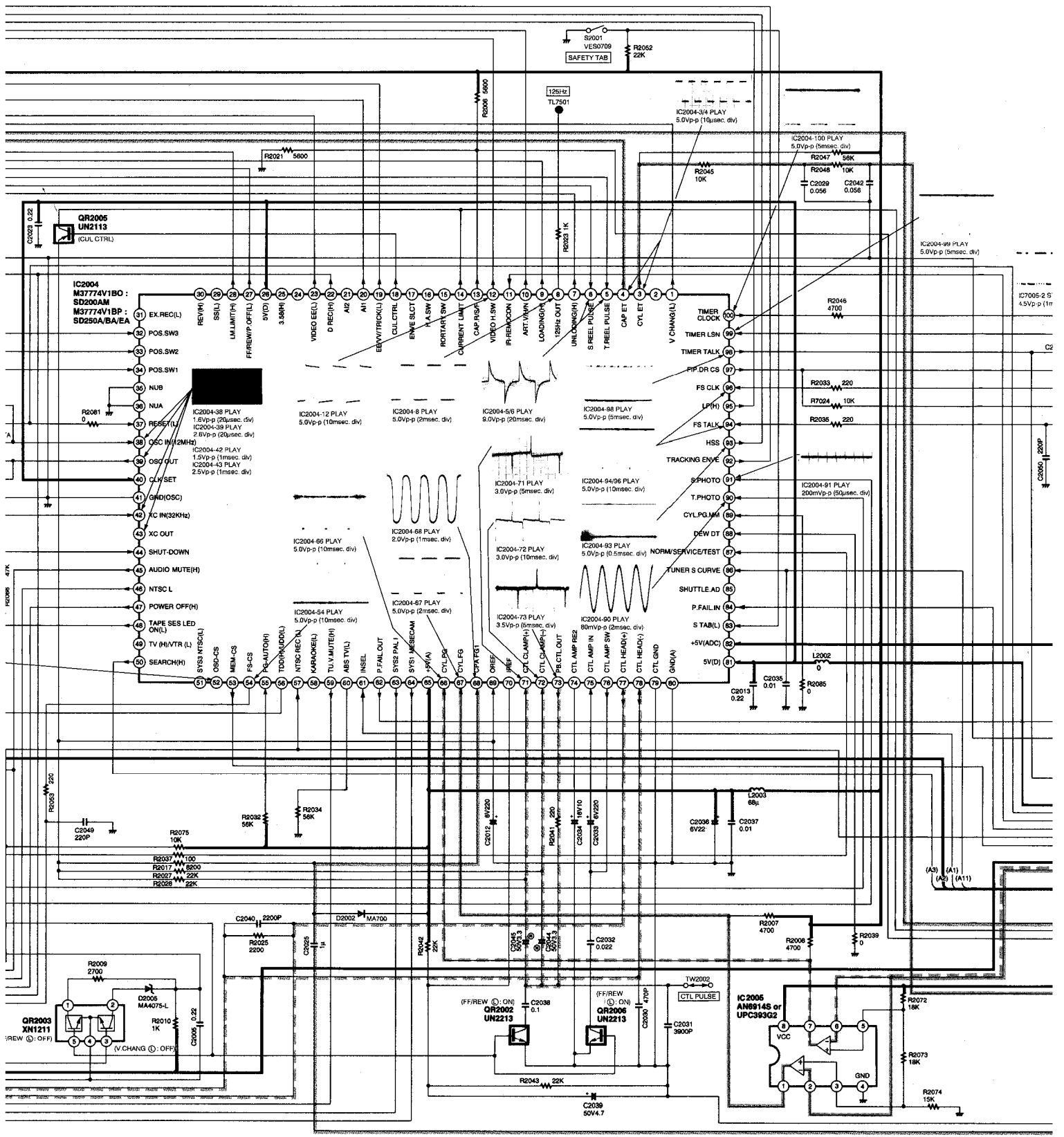
1

2

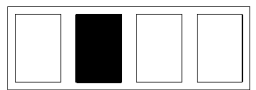
3

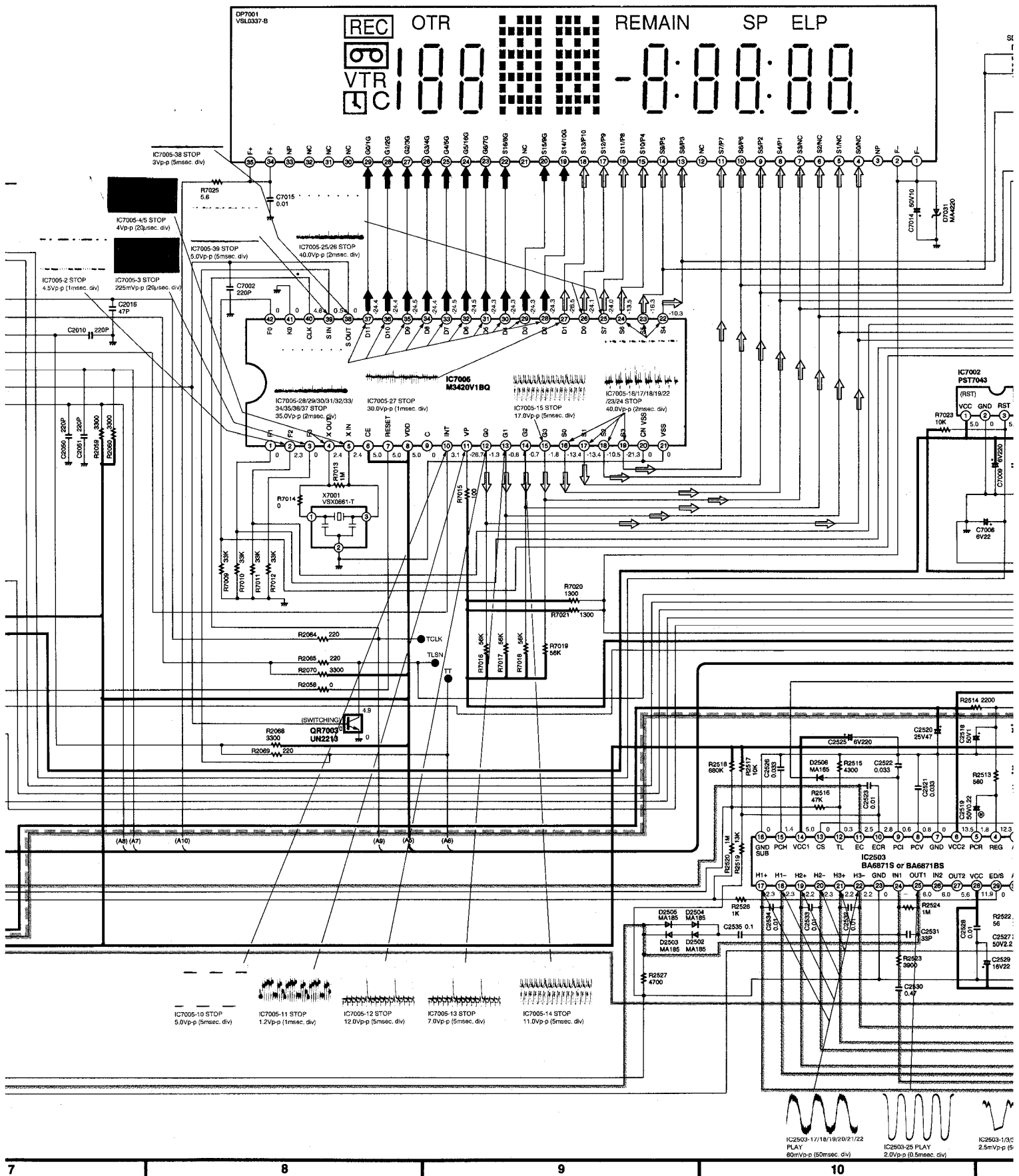
4

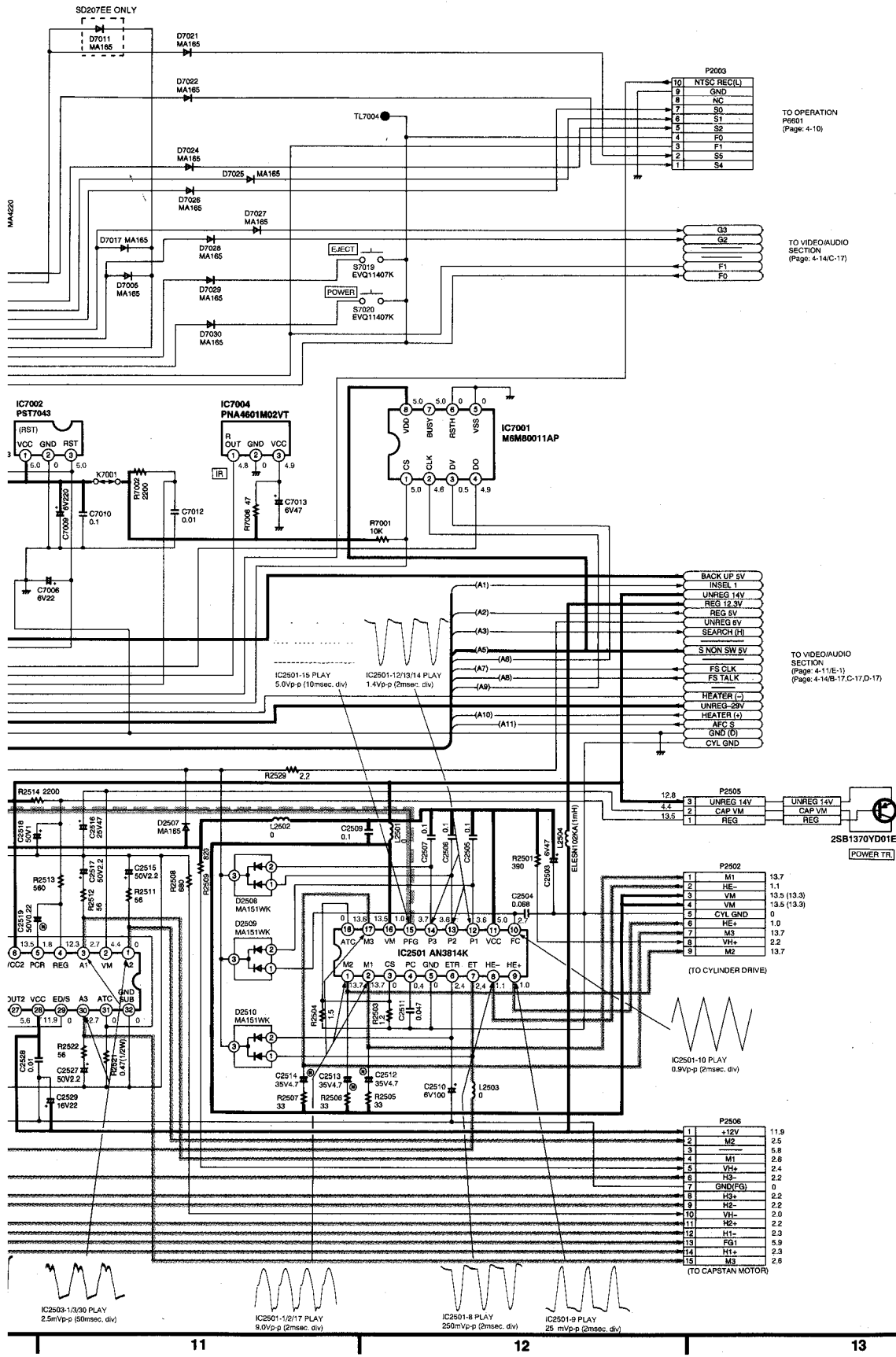




IS SCHEMATIC
 PARTS LIST. NOTE: THE MEASUREMENT MODE OF THE DC VOLTAGE ON THIS DIAGRAM IS STOP MODE.







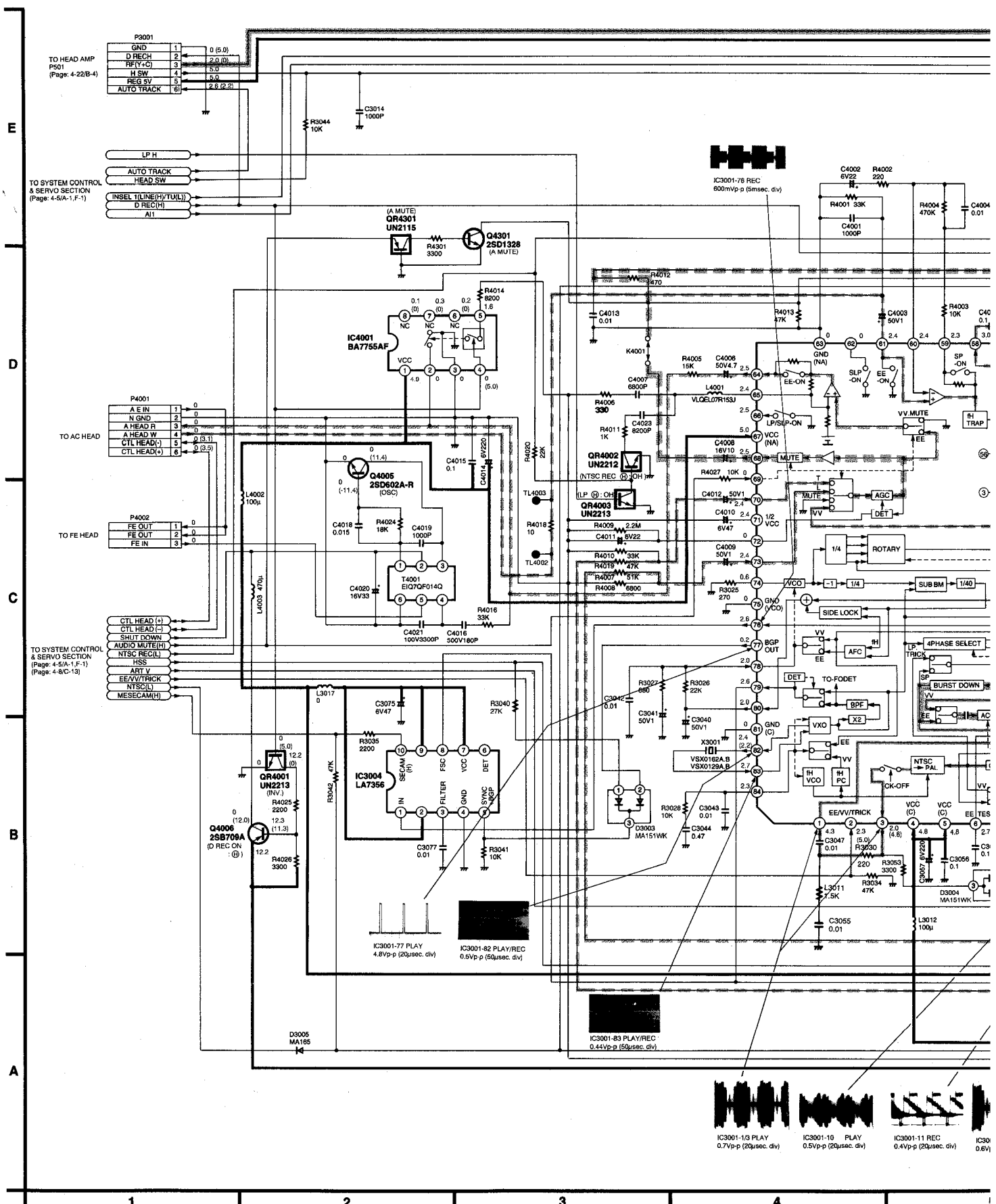
11

12

13



4-6. VIDEO / AUDIO SECTION IN MAIN SCHEMATIC DIAGRAM



P3001

GND	1	0 (5.0)
D RECH	2	2.0 (0)
RF(Y+C)	3	2.0 (0)
H SW	4	5.0
REG SV	5	5.0
AUTO TRACK	6	2.6 (2.2)

TO SYSTEM CONTROL & SERVO SECTION (Page: 4-5A-1.F-1)

LP H		
AUTO TRACK		
HEAD SW		
INSEL T(LINE(HY/TUL))		
D REC(H)		
AI		

P4001

A E IN	1	0
N GND	2	0
A HEAD R	3	0
A HEAD W	4	0 (3.1)
CTL HEAD(-)	5	0 (3.5)
CTL HEAD(+)	6	0 (3.5)

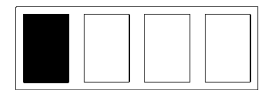
P4002

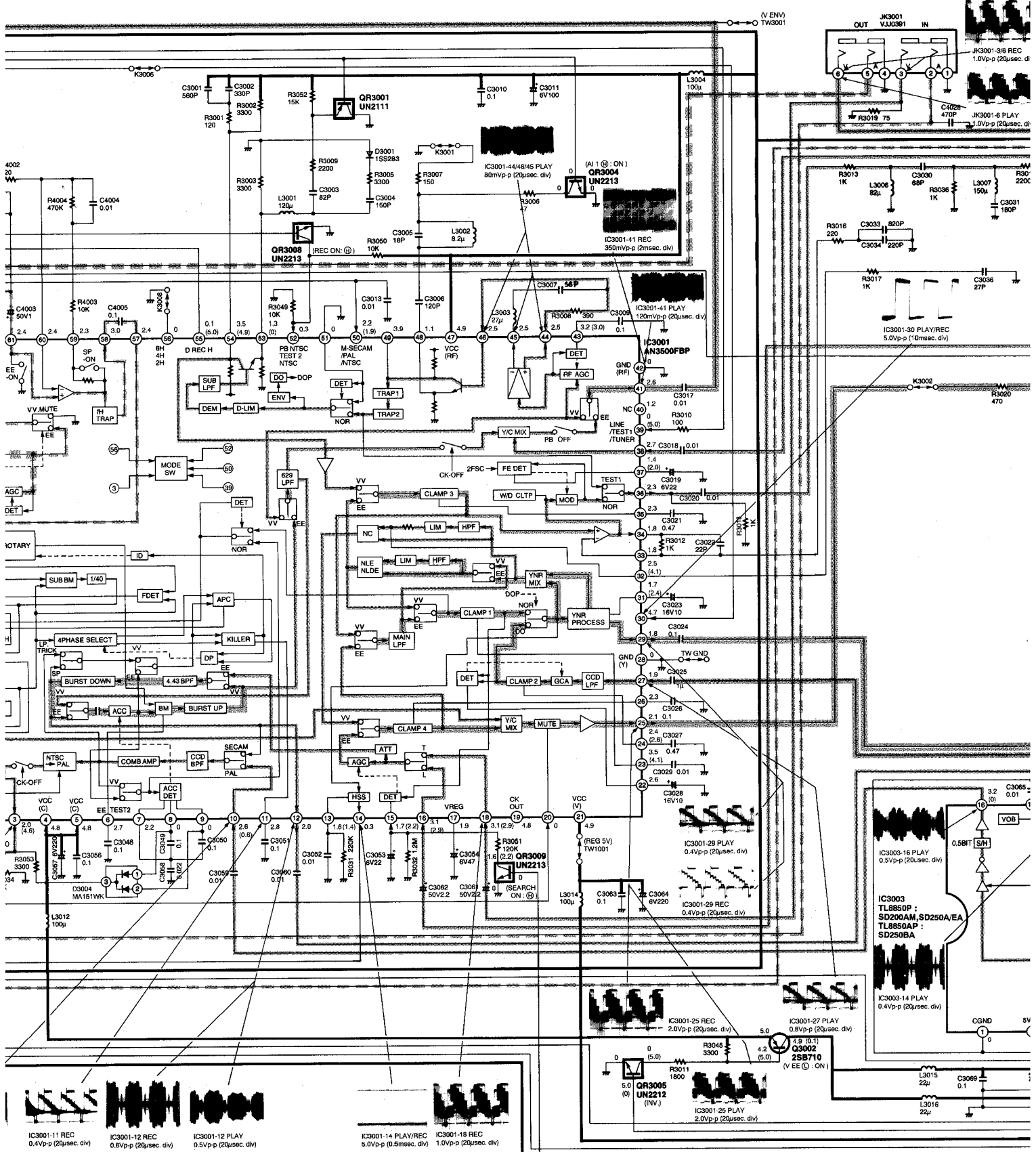
FE OUT	1	0
FE OUT	2	0
FE IN	3	0

TO SYSTEM CONTROL & SERVO SECTION (Page: 4-5A-1.F-1) (Page: 4-8/C-13)

CTL HEAD (+)		
CTL HEAD (-)		
SHUT DOWN		
AUDIO MUTE(H)		
NTSC REC(L)		
HSS		
ART V		
EE/VTRICK		
NTSC(L)		
MESECAM(H)		

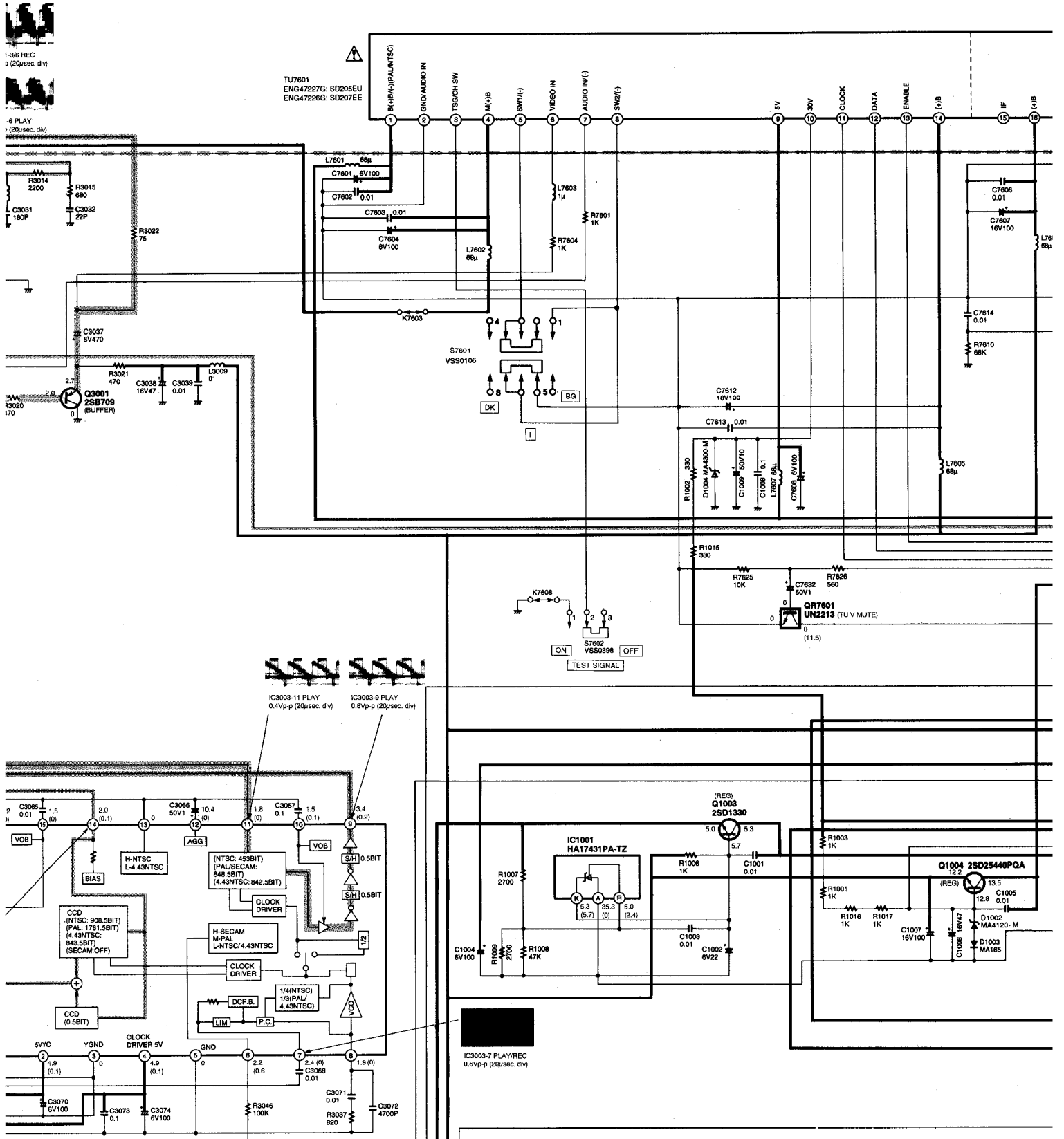
IC3001-1/3 PLAY 0.7Vp-p (20µsec. div) IC3001-10 PLAY 0.5Vp-p (20µsec. div) IC3001-11 REC 0.4Vp-p (20µsec. div) IC3001-13 PLAY 0.6Vp-p (20µsec. div)






5 6 7 8 9



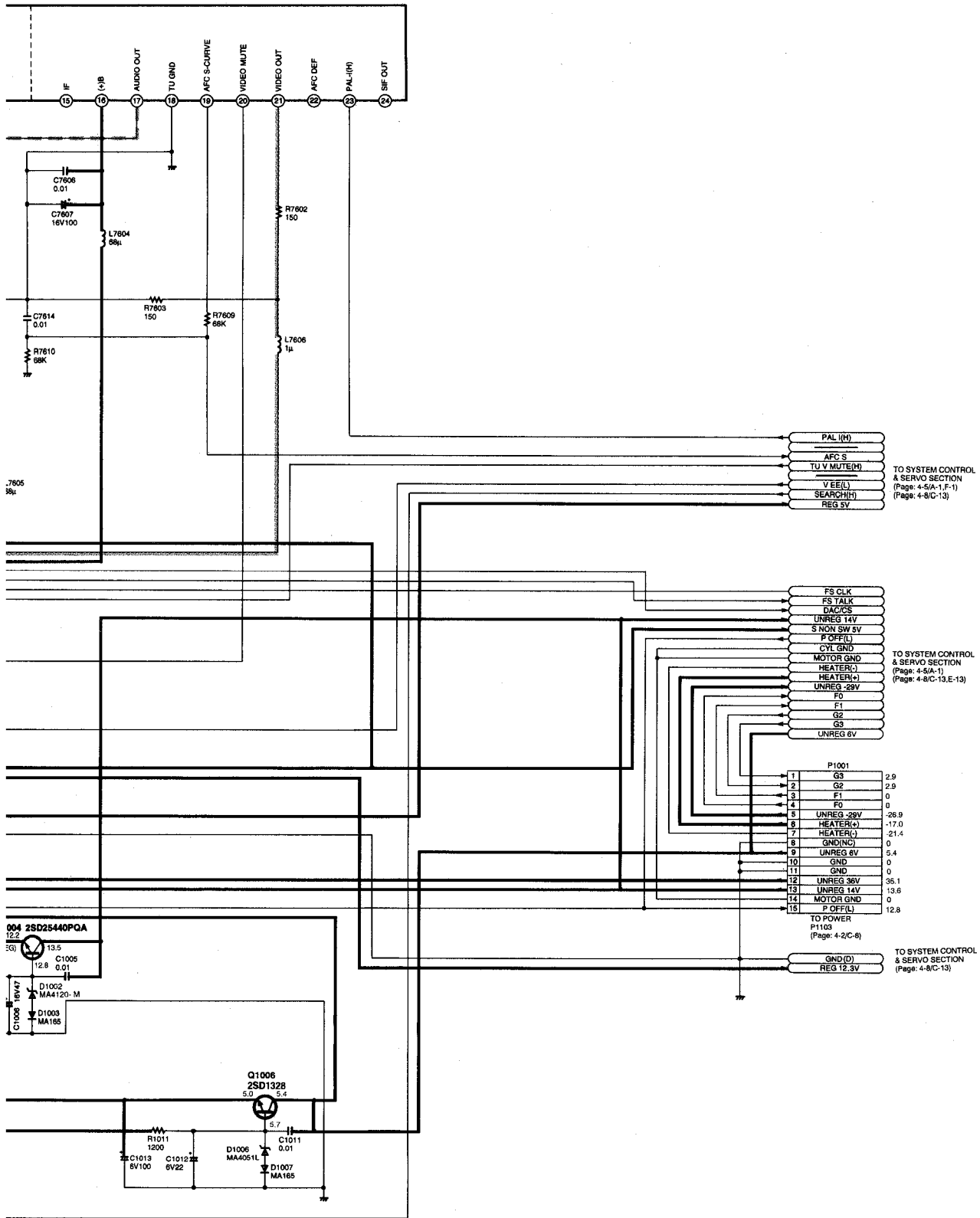


IMPORTANT SAFETY NOTICE:
 COMPONENTS IDENTIFIED WITH THE MARK  HAVE THE SPECIAL CHARACTERISTICS FOR SAFETY.
 WHEN REPLACING ANY OF THESE COMPONENTS, USE ONLY THE SAME TYPE.

NOTE: TH
 ON
 MC
 TH
 ET
 (SF)



SIGNAL PATH IN PLAYBACK MODE



NOTE: THE MEASUREMENT MODE OF THE DC VOLTAGE IN THE BRACKETS () ON THIS DIAGRAM IS RECORD MODE WITH PAL COLOUR SIGNAL. (SP MODE)
 THE MEASUREMENT MODE OF THE DC VOLTAGE OUT OF THE BRACKETS ON THIS DIAGRAM IS PLAYBACK MODE WITH PAL COLOUR SIGNAL. (SP MODE)

NOTE: DO NOT USE ANY PART NUMBER SHOWN ON THIS SCHEMATIC DIAGRAM FOR ORDERING. WHEN YOU ORDER A PART, PLEASE REFER TO PARTS LIST.

SAFETY.

14

15

16

17

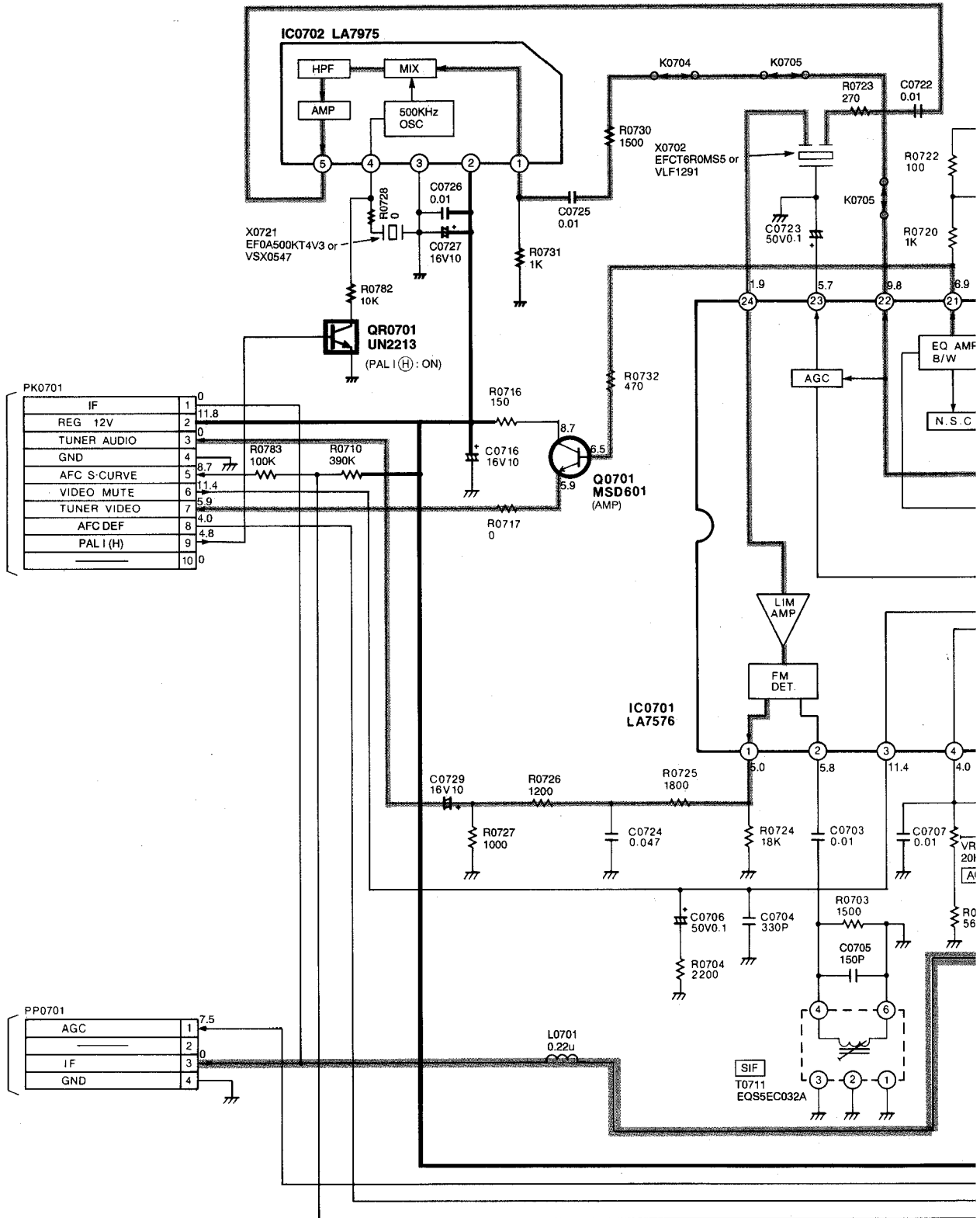


4-9. VIF PACK SCHEMATIC DIAGRAM

E
D
C
B
A

TO VIDEO/AUDIO SECTION
DU7601
(Page: 4-14/E14)

TO TUNER



NOTE: THE MEASUREMENT MODE OF THE DC VOLTAGE ON THIS DIAGRAM IS

1

2

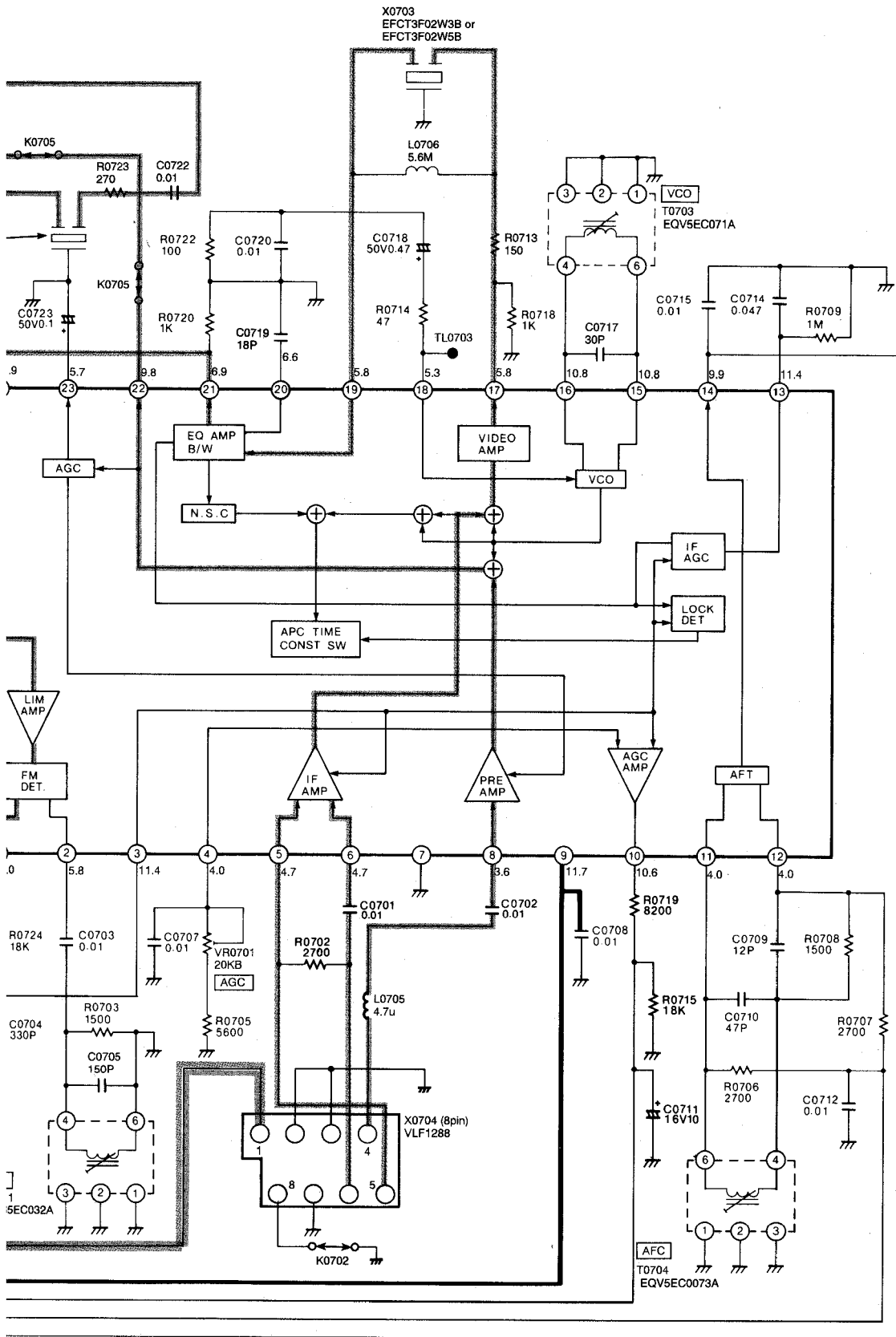
3

4



VIDEO SIGNAL PATH

AUDIO SIGNAL PATH



NOTE: DO NOT USE ANY PART NUMBER SHOWN ON THIS SCHEMATIC DIAGRAM FOR ORDERING. WHEN YOU ORDER A PART, PLEASE REFER TO PARTS LIST.

DC VOLTAGE ON THIS DIAGRAM IS STOP MODE.

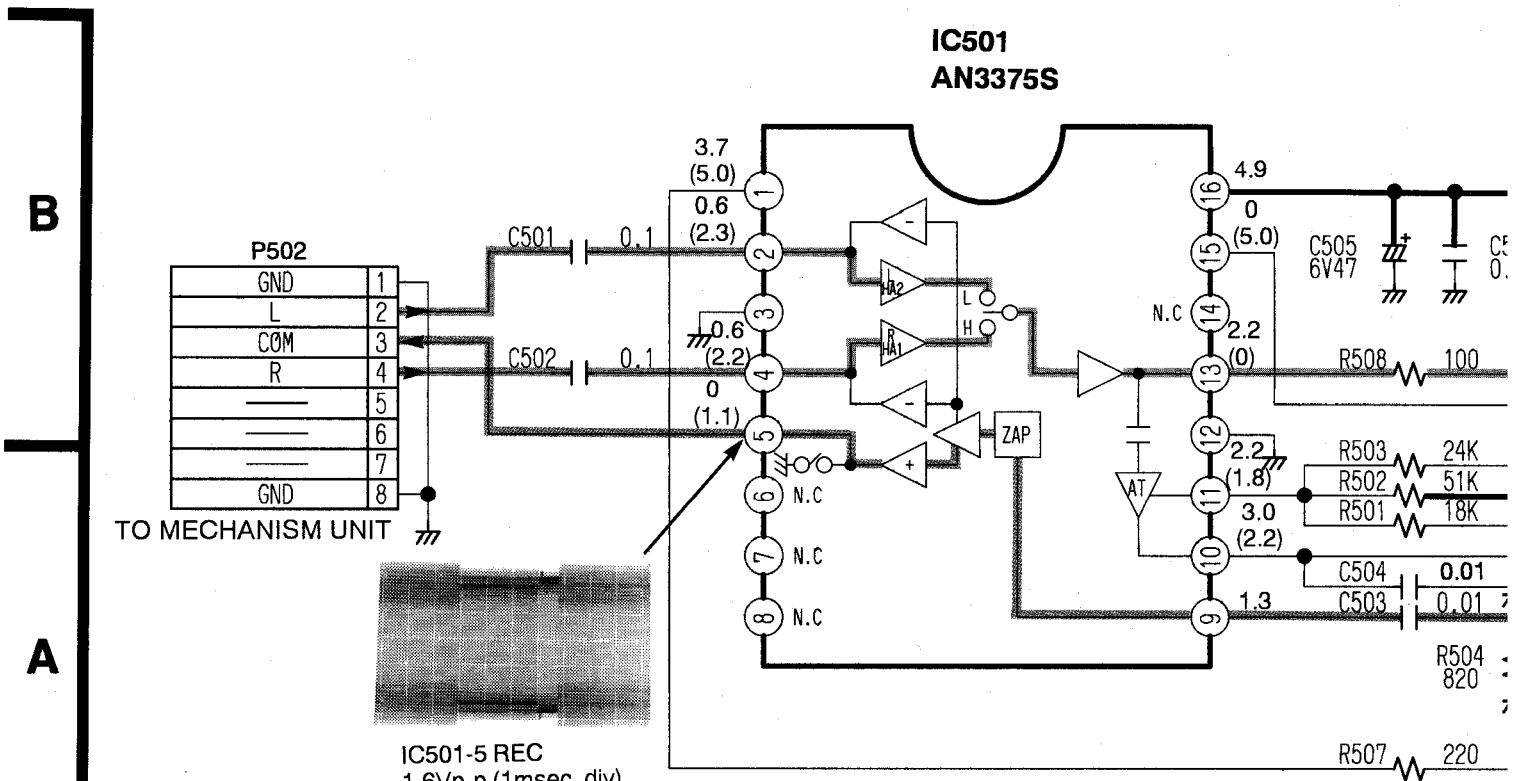
4 | 5 | 6 | 7



4-10. HEAD AMP SCHEMATIC DIAGRAM

———— VIDEO MAIN SIGNAL PATH IN REC MODE

▬▬▬▬ VIDEO MAIN SIGNAL PATH IN PLAYBACK MODE



NOTE: THE MEASUREMENT MODE OF THE DC VOLTAGE IN THE BRACKETS () ON THIS DIAGRAM IS RECORD MODE WITH PAL COLOUR SIGNAL. (SP MODE)
 THE MEASUREMENT MODE OF THE DC VOLTAGE OUT OF THE BRACKETS ON THIS DIAGRAM IS PLAYBACK MODE WITH PAL COLOUR SIGNAL. (SP MODE)

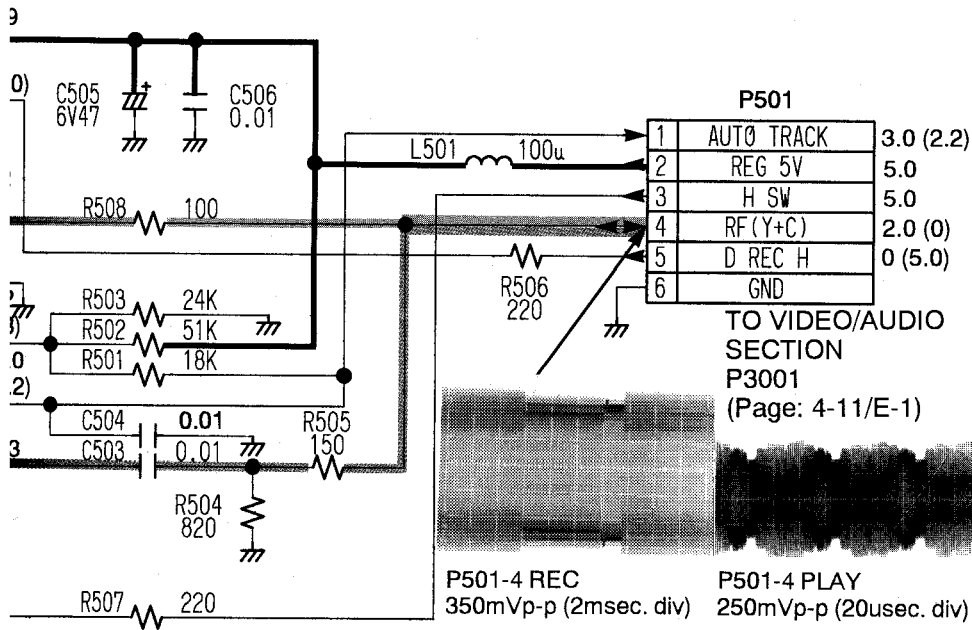
NOTE: DO NOT USE ANY PART NUMBER SHOWN ON THIS DIAGRAM WHEN YOU ORDER A PART, PLEASE REFER TO THE PART LIST FOR THE CORRECT PART NUMBER.

1

2

3





ANY PART NUMBER SHOWN ON THIS SCHEMATIC DIAGRAM FOR ORDERING.
ORDER A PART, PLEASE REFER TO PARTS LIST.

3

4